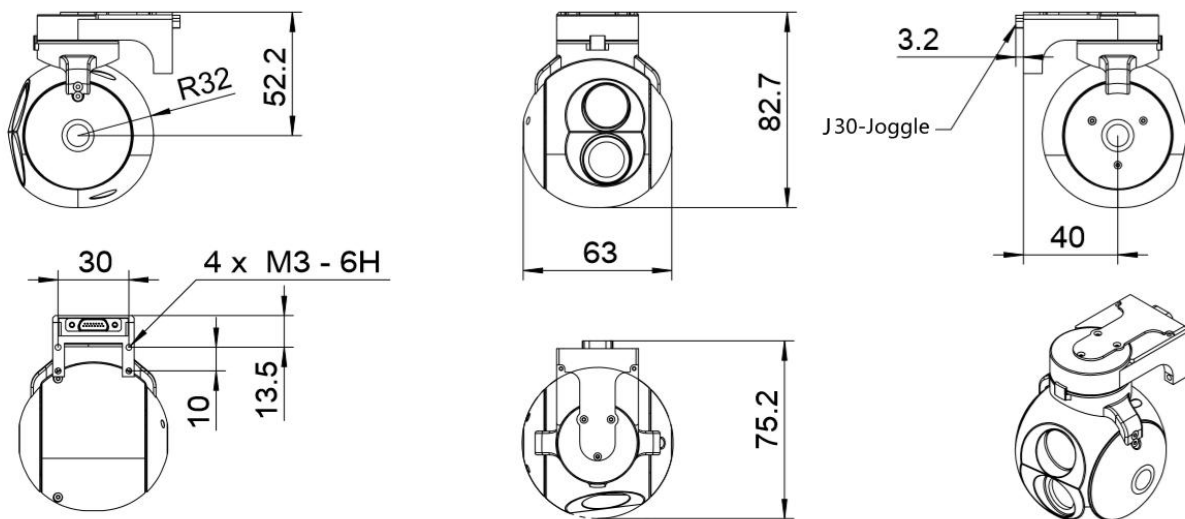


Product highlights:

1. 7.2mm prime lens EO+25mm prime lens EO
2. Tracking function
3. 12~28V power input
4. Ethernet video output
5. Small size, low power consumption

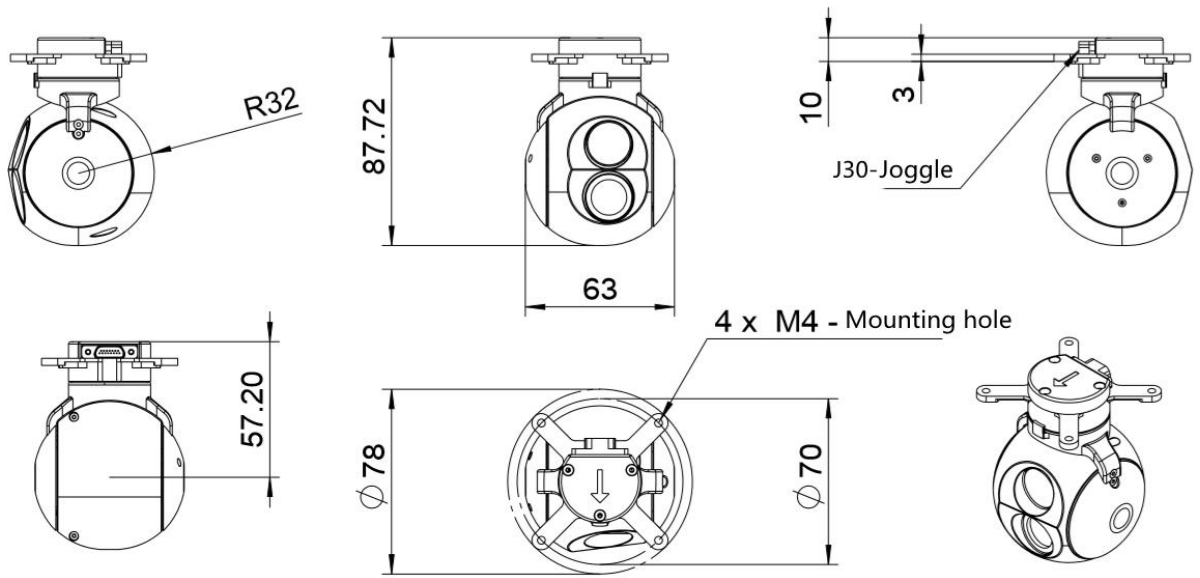
Dimensions



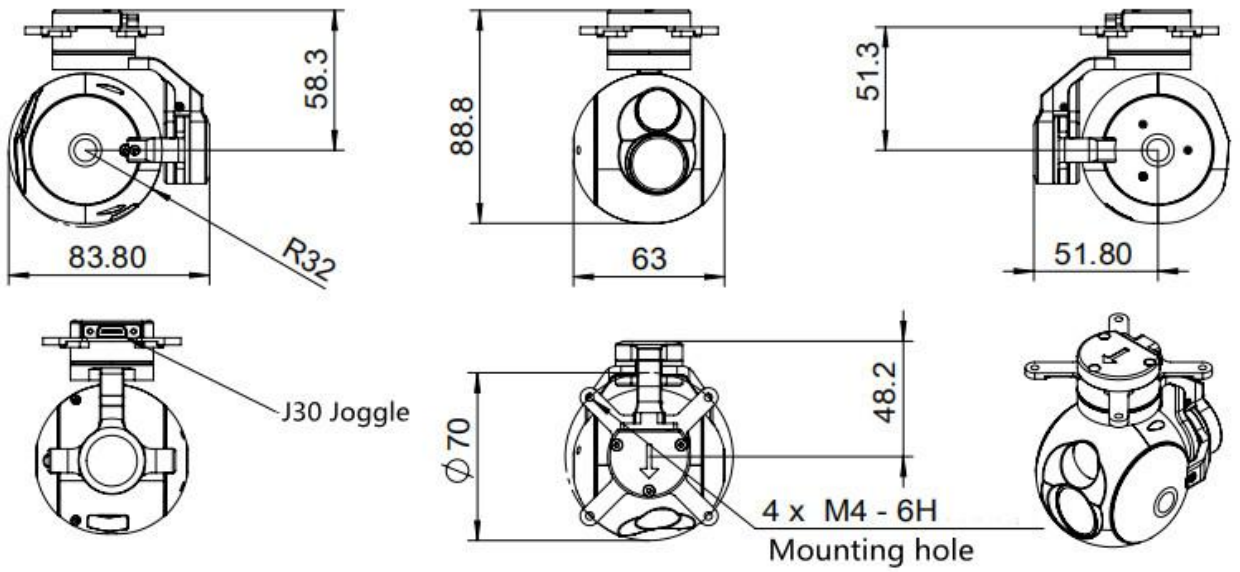
SI2-01

Parameters

MODEL		SI2-01	SI2-02	SI2-03
System specification	System type	Gyro stability		
	Weight	240g		290g
Stable system	Platform type	Two axle		Tri axis
	Azimuth	-110° ~ +110°		N × 360°
	pitch	-100° ~ +40°		
	Maximum search angular velocity	≥ 100° /s		
	Stability accuracy	0.1mrad(1° /2HZ)		
	Angular position accuracy	≤ 0.3°		
Visible light camera 1	Resolution and frame rate	1920 × 1080 @60fps		
	BIG FOV	38.3° × 22.1° (8mm)		
Visible light camera 2	Resolution and frame rate	1920 × 1080 @60fps		
	SMALL FOV	12.7° × 7.1° (25mm)		
Tracking module	Frame rate	60Hz		
	Tracking speed	± 48 Pixel/frame		
System external interface	Control	RS232		
	Video output	NET		
Power supply	Power	12 ~ 28V		
	Power consumption	Av ≤ 10W, Max ≤ 20W		
Environmental conditions	Operating temperature	-40°C ~ +60°C		
	Storage temperature	-50°C ~ +70°C		
	shock resistance	≥ 400g		



SI2-02



SI2-03